

HSF

NOTES:

1. Insulator material: HIGH TEMPERATURE THERMOPLASTIC, UL94 V-0;
2. Terminal material: Copper Alloy;
Terminal Plating: Au/Sn Plated Over Nickel ;
3. Rated Voltage: 300 V;
4. Rated Current: 3.0 A;
5. Contact Resistance: 20 mΩ Max;
6. Insulation Resistance:
DC500V / 5000MΩ Min
7. Insulation Withstand Voltage:
1000V AC/1min;
8. Durability :200 cycling;
9. Operation Temperature: -25°C to +105°C;

Ordering Information:

7512 - XXX S X W XX D A1 0X

No. of: 006=6Pin
100=100Pin

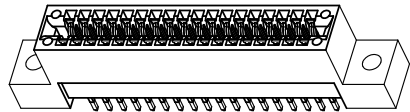
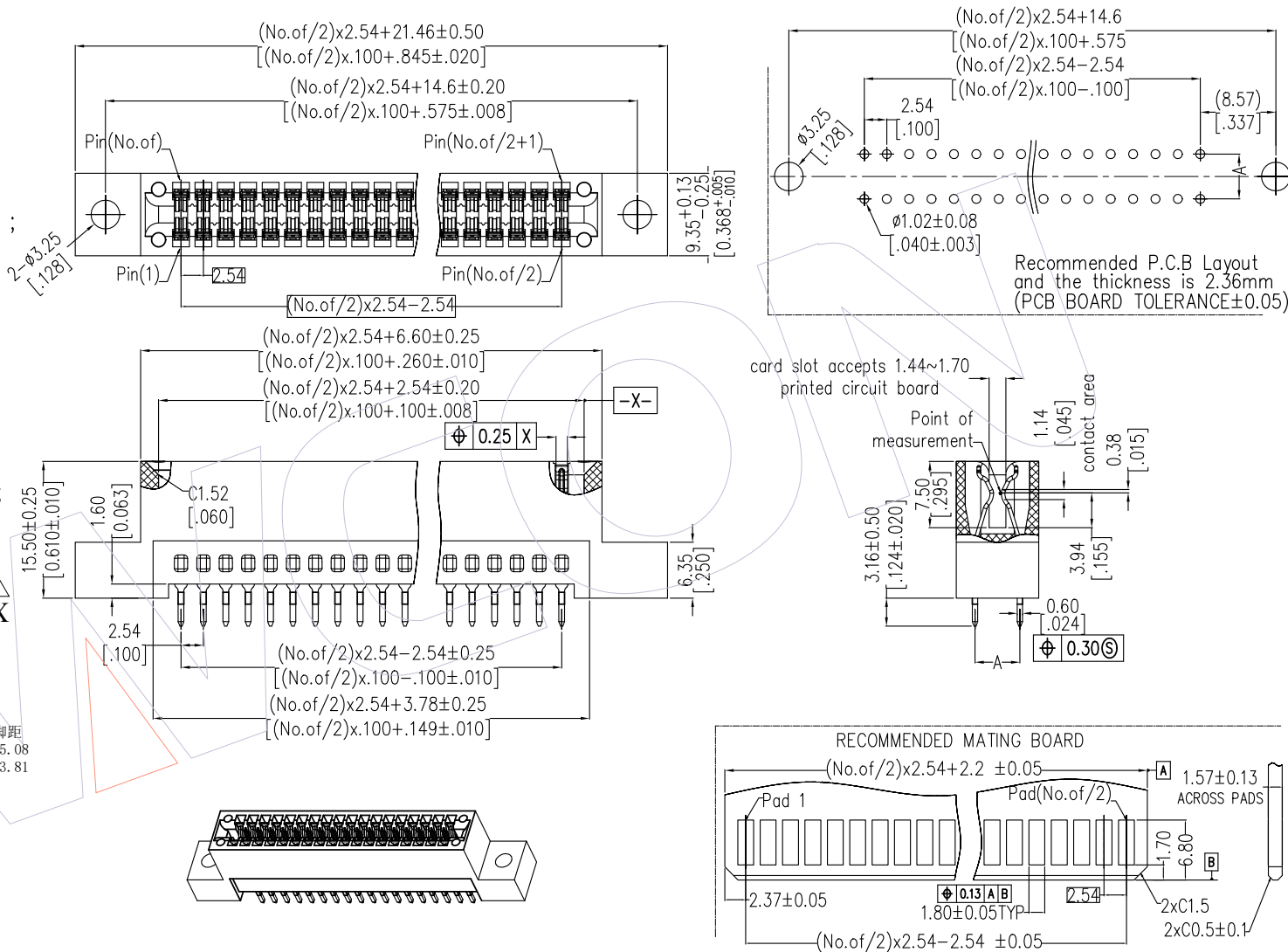
Fixed Mode:
S: 180°DIP
R: 90°DIP
M: SMT
C: Splint

Color:
B: Black
W: White
W: 有定位孔

material:
A: PBT
B: Nylon-66
D: LCP

DIM. A脚距
01: A=5.08
02: A=3.81

Contact Plated:
SM: Matte Tin
S0=Gold Flash/Tin
S1=3u" Gold /Tin
S5=30u" Gold /Tin
W0=Gold Flash /Matte Tin
W1=3u" Gold /Matte Tin
W5=30u" Gold /Matte Tin



OPERATION	DRAW	DATE	SCALE	FIT	PART NO.
x.x ±0.40	Surong Xu	2018/08/29	UNIT mm		7512-XXXSXWXXD0X A1
x.xx ±0.25	CHECK	DATE	SIZE A4		TITLE: 2.54mm Slot 180° DIP
x.xxx ±0.15	APPROVE	DATE	SHEET 1/1		脚距5.08/3.81 带定位孔
Angle ± 3°			PROJ.		Customer NO.
DIM TOL					

REV	DATE	MODIFICATION DESCRIPTION	CHANGE
A1	18/08/29	MODIFY P/N	-----
A0	18/01/08	NEW	-----

WCON

Http: www.wcon.com

WCON-Dongguan
Tel: +86 769 85358920
Fax: +86 769 85358915
E-mail: sales@wcon.com

WCON-Kunshan
Tel: +86 512 57468408
Fax: +86 512 57468468
E-mail: sales@wcon.com