

HSF

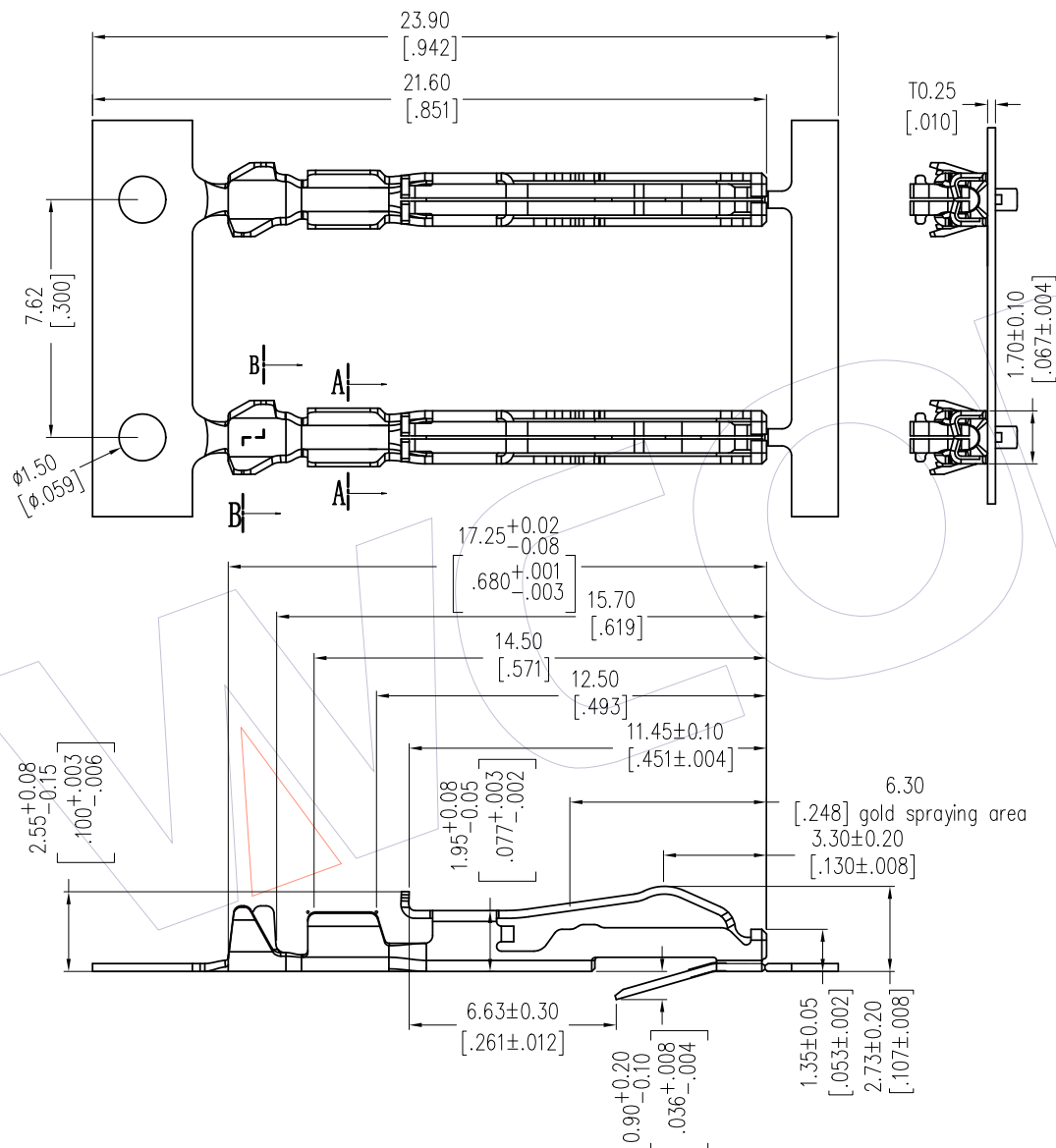
NOTES:
 Contact Material: C5210;
 Current Rating: Up to 3 amps;
 Contact Finish: gold plated;
 Wire Size Range: 24-26AWG;
 Temperature Range:
 -40°C to +125°C (Gold plated)

Ordering Information

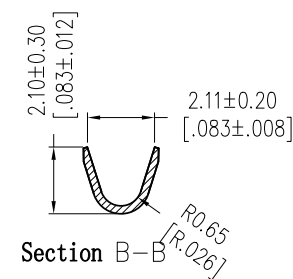
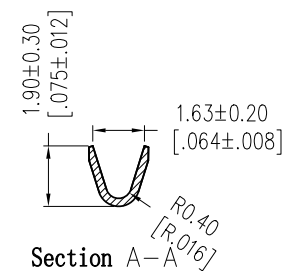
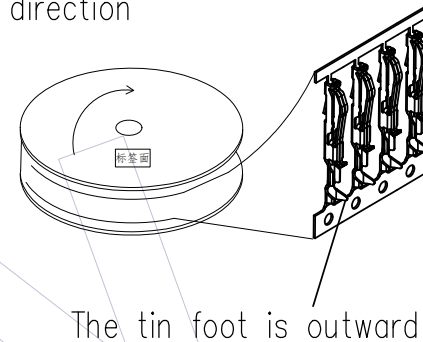
$\triangle/\triangle/\triangle$
 7512-T P XX 01

Contact Material:
 P=C5210

Contact Plating:
 SM=Full matte tin
 SN=full bright tin
 S1=3u"Gold/Ni
 S2=5u"Gold/Ni
 S4=15u"Gold/Ni



Sketch map of discharge direction



REV	DATE	MODIFICATION DESCRIPTION	CHANGE	DIM	TOL	OPERATION	DRAW	DATE	SCALE	FIT	PART NO.
A2	2019/04/29	7512-TP1XX01 → 7512-TPXX01	---	X.X	±0.40	OPERATION	XSR	2019/04/29	UNIT	mm	7512-TPXX01 $\triangle/\triangle/\triangle$
A1	2019/04/17	7512-TPXX01 → 7512-TP1XX01	---	X.XX	±0.25	CHECK	DATE		SIZE	inch	TITLE:
A0	2018/08/31	NEW	---	X.XXX	±0.15	APPROVE	DATE		SHEET	1/1	2.54 Slot Contact
				Angle	± 3'				PROJ.	ϕ \rightarrow	Customer NO.

WCON
 Http: www.wcon.com

WCON-Dongguan
 Tel: +86 769 85358920
 Fax: +86 769 85358915
 E-mail: sales@wcon.com

WCON-Kunshan
 Tel: +86 512 57468408
 Fax: +86 512 57468468
 E-mail: sales@wcon.com